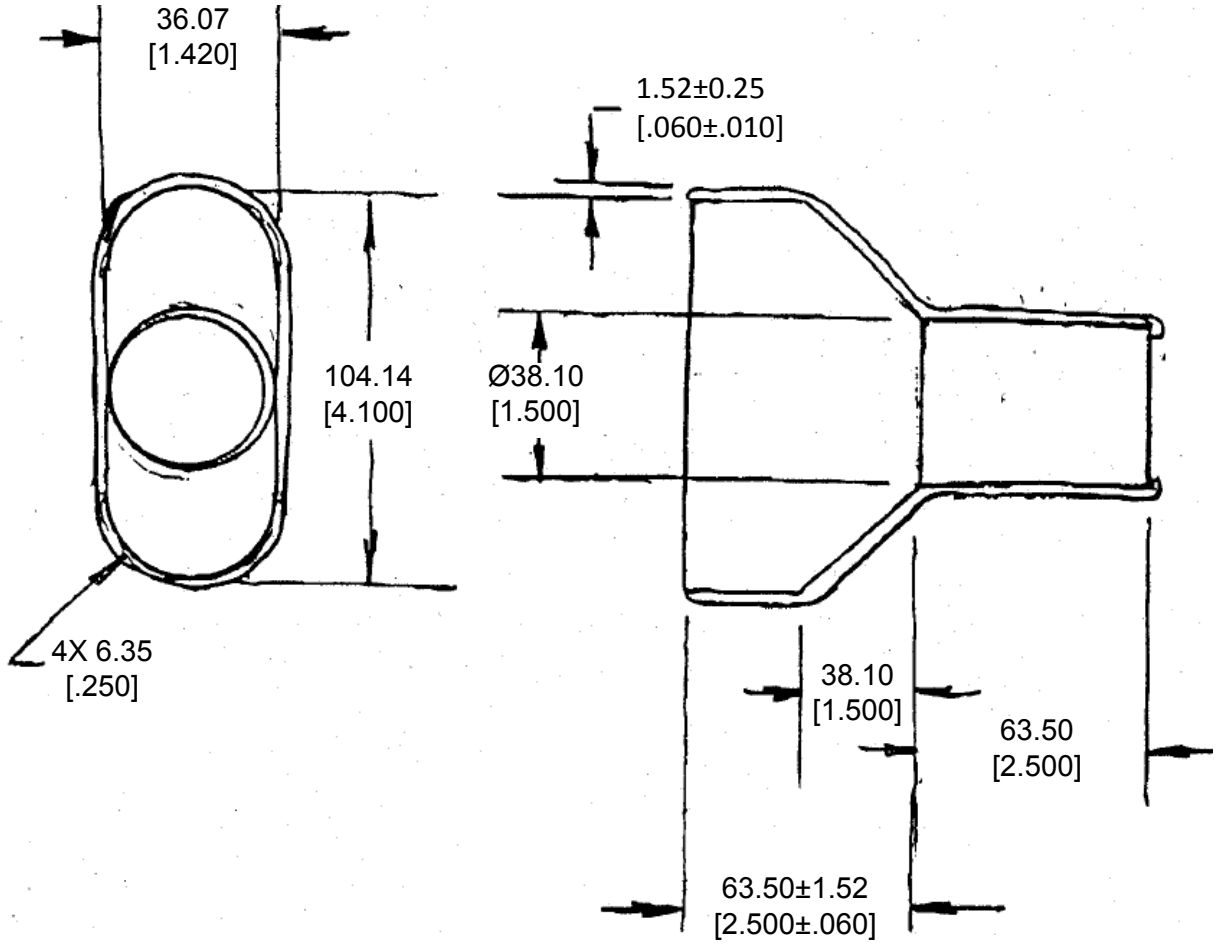


LOC	DIST	REVISIONS				
P	LTR	DESCRIPTION	DATE	DWN	APVD	
-	-	A	NEW RELEASE PER ECO-14-009839	07JUL2014	DM	DM
-	-	AI	REVISED PER ECO-15-002760	20FEB2015	PS	DM



- 3. PART NO. DRC70-BT
- 2. TEMPERATURE RATING: -29°C TO +100°C [-20°F TO +212°F]
- 1. THIS PART IS USED ON
 DRC12-70PX(E)-XXXX RECEPTACLE
 DRC14-70PX(E)-XXXX RECEPTACLE
 DRC16-70SX(E)-XXXX PLUG
 WHERE X=A,B,C,D KEYS AND XXXX=MODIFICATION


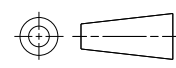
2014

RELEASED FOR PUBLICATION

THIS DRAWING IS UNPUBLISHED

ALL RIGHTS RESERVED.

BY - TE CONNECTIVITY
 COPYRIGHT 2014

DIMENSIONS: mm [INCHES]	DWN D. MEYER	07JUL2014	MATERIAL	PVC	FINISH	BLACK
	CHK D. HASIBUAN	07JUL2014	 TE Connectivity			
TOLERANCES UNLESS OTHERWISE SPECIFIED:	APVD D. MEYER	07JUL2014				
0 PLC ±-	PRODUCT SPEC	-	NAME BOOT, 70 PIN DRC SERIES			
1 PLC ±-	APPLICATION SPEC	-				
2 PLC ±0.63 [.025]	WEIGHT	68.00G	SIZE	A 4	CAGE CODE	4AFU8
3 PLC ±		CUSTOMER DRAWING	DRAWING NO	C=DRC70-BT		RESTRICTED TO
4 PLC ±-			SCALE	NONE	SHEET	1
ANGLES ±5°			REV	AI		